

Drum Kit Installation Manual Version 1.01



- ① Drum module ② Hi-Hat ③ Crash1 ④ Ride ⑤ Tom 1
- ⑥ Tom 2 ⑦ Tom 3 ⑧ Snare ⑨ Hi-Hat Pedal ⑩ Bass/Kick

1. Installing tools

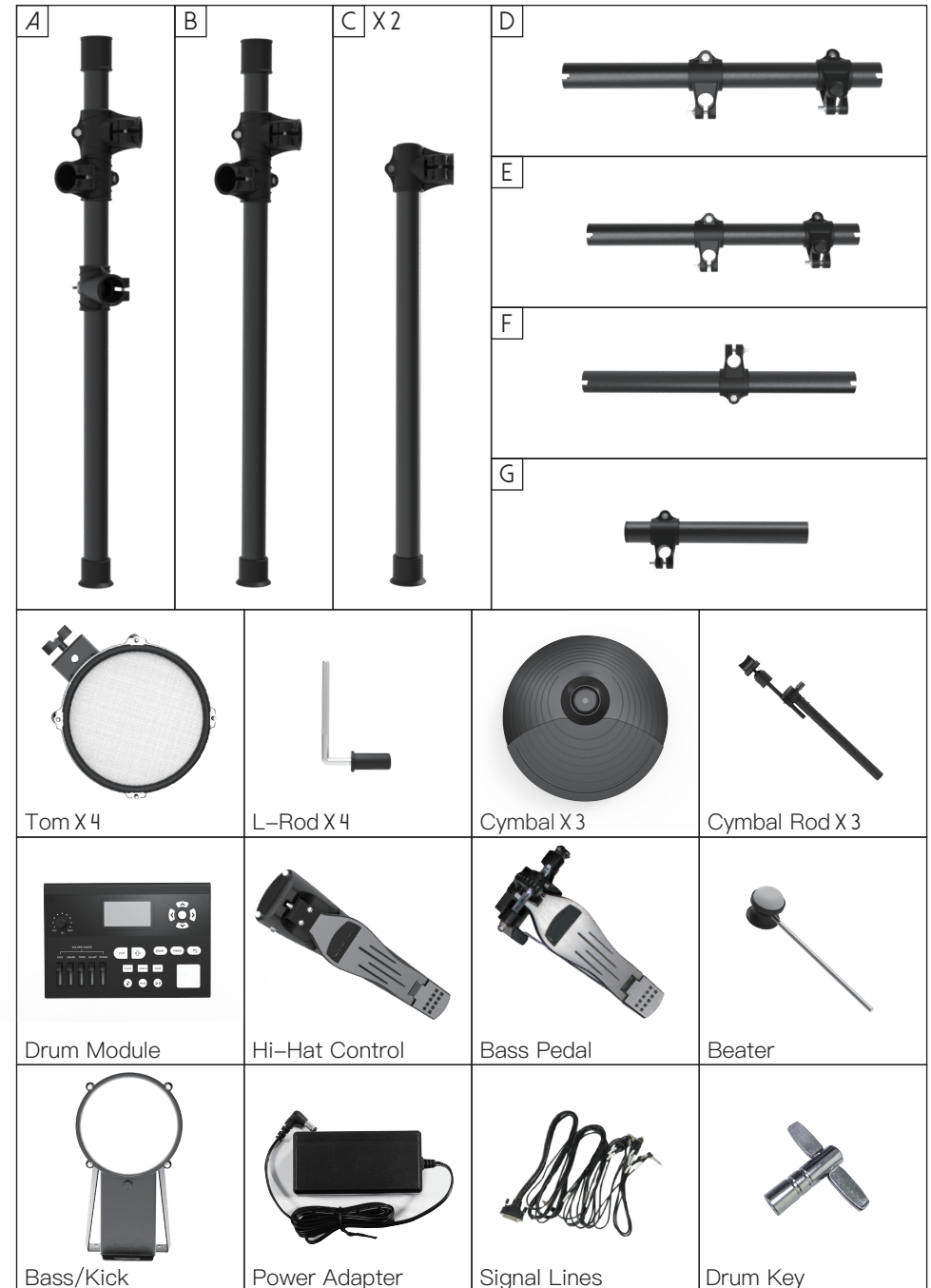
- ① A Knife (Provided by user), to gash the box tapes.
- ② Drum Key (Please find it in the package), to install racks and adjust pads.

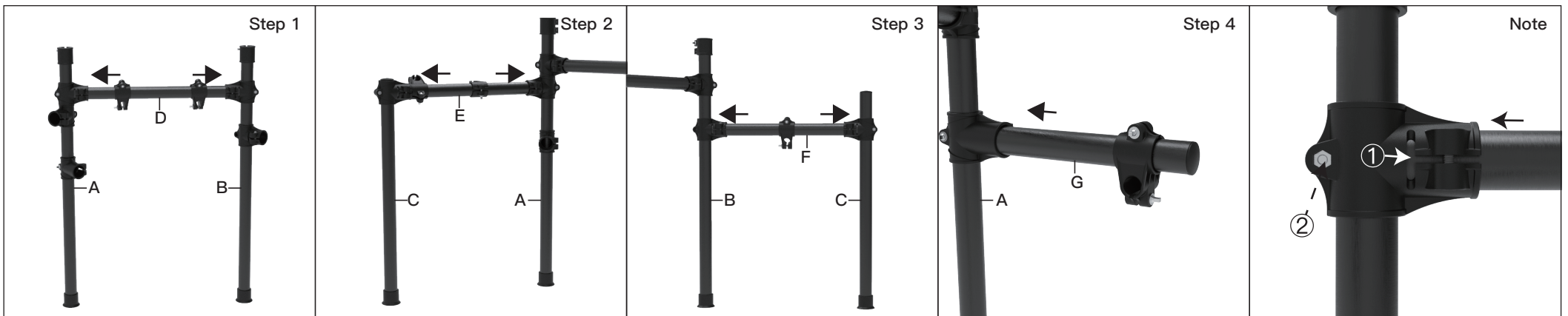
2. STEPS:

- ① Open box with knife and take out of all the parts as below picture. Count them with Parts List.
- ② Assemble the racks following to below pictures, fastening screw after the assembling.
- ③ Connect all the pads and cymbals with module by signal lines.

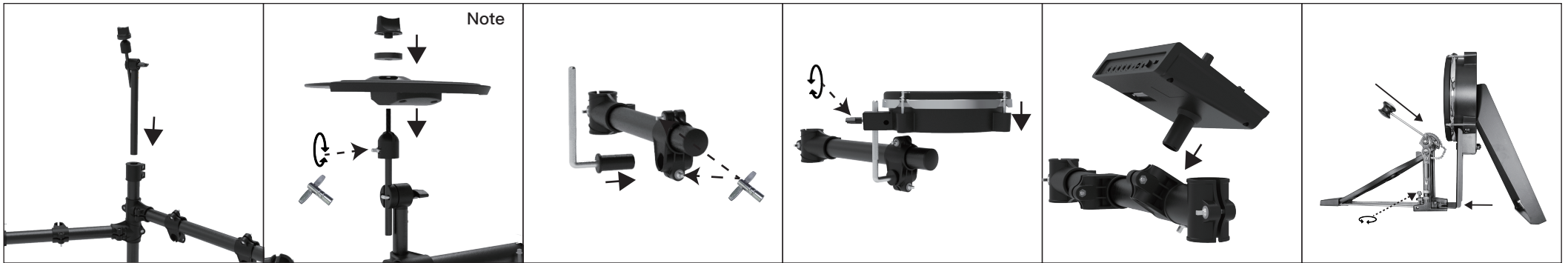
※Tips: Adjust the parameters of sound module according to the User Guide.

There are 6 pcs of cable ties to help you organize these cables.





Note: While connect drum racks, please make sure the rack reaches the position as ① shown, and then fasten screw at position ② with drum key.



Note: Put the groove in the back of cymbal against the embossment of the pillar stand. Adjust the cymbal to make the groove match the pillar stand, and then fasten the pillar stand and fasten the cymbal.

Fix the L-rod and then install the snare and Toms to the L-rod.

Assemble the module;
Assemble and adjust the felt beater with bass/kick drum.

